

# **BRYTEC**

## **LED LIGHTING**

**BRYTEC PTY LTD**

ABN - 60 119 253 020

Unit 5 , 5 Kelletts Road  
Rowville Vic 3178

Phone: (03) 9763 0911

Fax: (03) 9763 4233

Date of Release

Email - sales@brytec.com.au

Website - <http://www.brytec.com.au>

05/09/2011

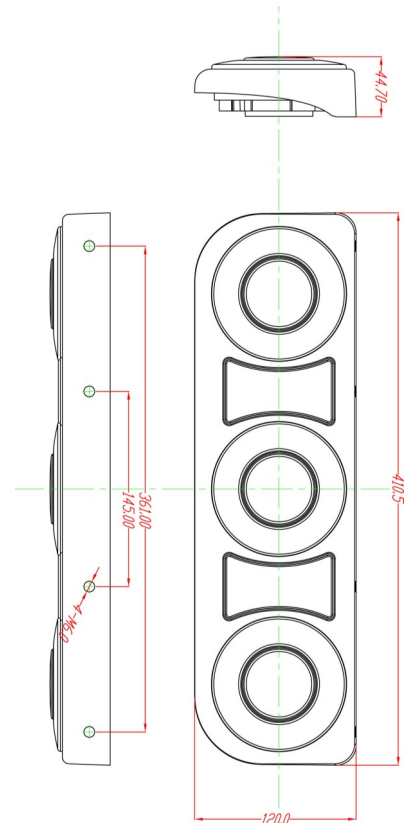
# New Product Release



**BR1203B** (Triple bracket for 120 series lamps.)



**BR1203B** (Bracket with lamps fitted, illustration only, lamps not included)



<b>Part Number</b>	<b>BR1203B (Bracket only)</b>
<b>Description</b>	<b>Triple bracket to suit 120 series lamps</b>
<b>Package Type</b>	<b>OEM Pack</b>
<b>Dimensions</b>	<b>410mm (Width) x 120mm (Height) x 47mm (Depth with lamp fitted)</b>
<b>Fittings</b>	<b>Stainless Steel</b>
<b>Material</b>	<b>Polycarbonate</b>
<b>Warranty</b>	<b>1 Year</b>
<b>Barcode</b>	<b>9339485000566</b>
<b>Other Features</b>	<b>Allows you to make your own combinations.</b>

***Stock Available Now!***

For any product information or details regarding the Brytec Led Lamps please phone Ross Gibson on 0403 581 136 thank you.